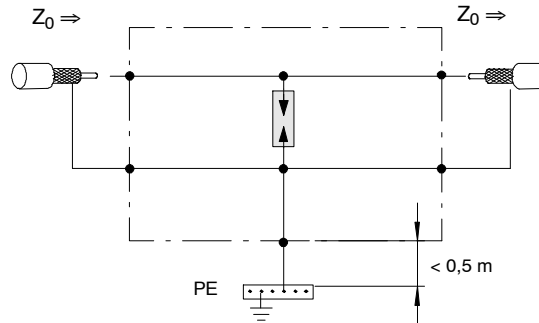
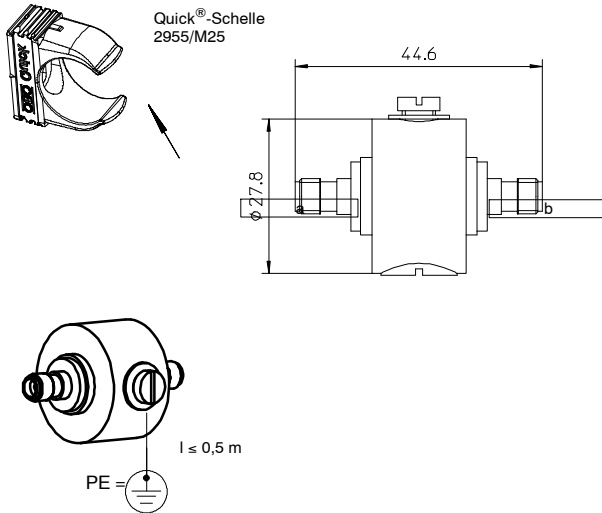


DS-SMA W/W

Schaltbild / Protective circuit

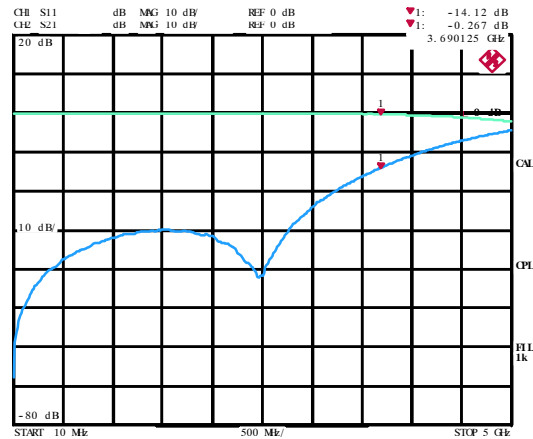


Technische Daten / Technical Data

Typ	DS-SMA W/W
Item-No.:	5093277
I _L	10 A
U _C	130 V AC / 185 V DC
LPZ	LPZ 0 → 2
Impulse durability line-line	C2: 10kV
Impulse durability line-earth	C2: 10kV
Total impulse durability lines-earth (I _{total})	10kA (8/20)
Total impulse durability lines-earth (I _{total})	D1: 5kA (10/350)
U _P (line-line)	800 V
U _P (line-earth)	800 V
R _{iso}	≥ 1 GΩ
v °C	- 40 °C - + 80 °C
Impedance Z ₀	50 Ω
Return loss S 11	14 dB @ 3,7 GHz
Insertion loss S 21	0,2 dB @ 3,7 GHz
Capacitance (line-line)	≤ 10 pF
Capacitance (line-earth)	≤ 20 pF
Connector	SMA Jack female/female
Standard	IEC 61643-21

Transmission

Hinweis / Note



Das Überspannungsschutzgerät darf nur im Spannungslosen Zustand eingebaut werden

The SPD may only be installed into the circuit onvoltage free lines

LPZ IEC 61643-21
0 → 2 IEC 62305



Head Office OBO BETTERMANN GmbH & Co. KG
 Postfach 1120 · 58694 Menden, Germany
 Hüngser Ring 52 · D-58710 Menden
 Tel. +49 (0)2373-89-0 Fax +49 (0)2373-89-238
 E-Mail: info@obo.de · www.obo-bettermann.com

Technical Hotline
 Telefon +49 (0)2373/89-1500
 Telefax +49 (0)2373/89-1550
 E-Mail hotline@obo.de