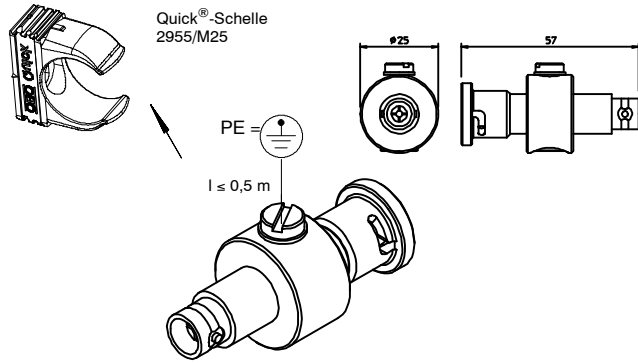
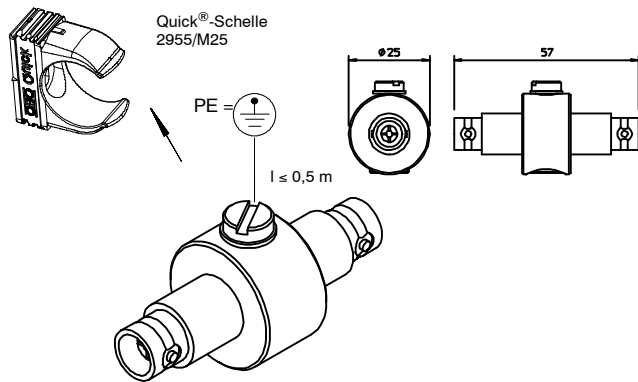


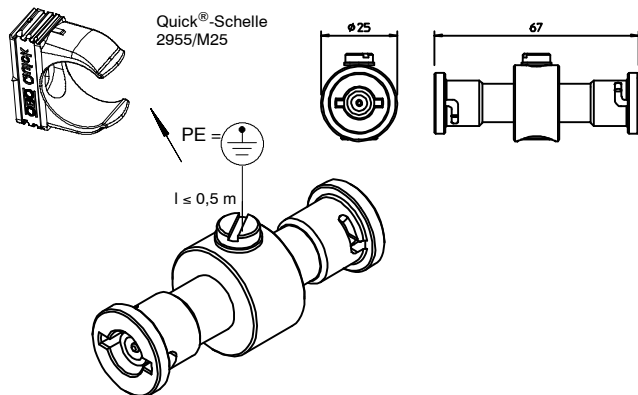
DS-BNC M/W



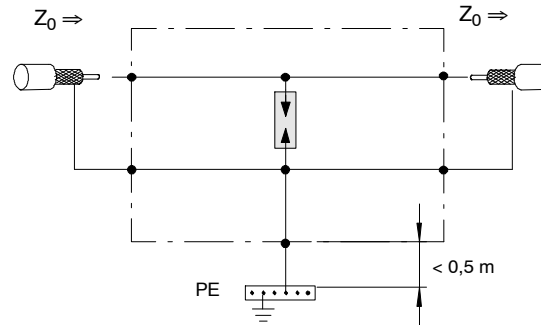
DS-BNC W/W



DS-BNC M/M



Schaltbild / Protective circuit

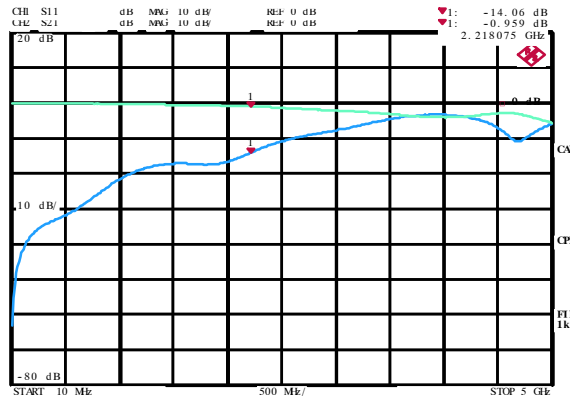


Hinweis / Note

Das Überspannungsschutzgerät darf nur im Spannungslosen Zustand eingebaut werden

The SPD may only be installed into the circuit onvoltage free lines

Transmission



Technical Data / Technische Daten

Typ	DS-BNC M/W	DS-BNC W/W	DS-BNC M/M
Item-No.:	5093252	5093236	5093260
I_L	10 A		
U_C	130 V AC / 185 V DC		
LPZ	LPZ 0→2		
Impulse durability line-line	C2: 10kV		
Impulse durability line-earth	C2: 10kV		
Total impulse durability lines-earth (I_{total})	10kA (8/20)		
Total impulse durability lines-earth (I_{total})	D1: 5kA (10/350)		
U_P (line-line)	800 V		
U_P (line-earth)	800 V		
R_{iso}	$\geq 1 G\Omega$		
v °C	- 40 °C - + 80 °C		
Impedance Z_0	50 Ω		
Return loss S 11	14 dB @ 2,2 GHz		
Insertion loss S 21	0,95 dB @ 2,2 GHz		
Capacitance (line-line)	≤ 10 pF		
Capacitance (line-earth)	≤ 20 pF		
Connector	BNC Jack male/female	BNC Jack female/female	BNC Jack male/male
Standard	IEC 61643-21		

LPZ IEC 61643-21
0→2 IEC 62305



Head Office OBO BETTERMANN GmbH & Co. KG
Postfach 1120 · 58694 Menden, Germany
Hüingsger Ring 52 · D-58710 Menden
Tel. +49 (0)2373-89-0 Fax +49 (0)2373-89-238
E-Mail: info@obo.de · www.obo-bettermann.com

Technical Hotline
Telefon +49 (0)2373/89-1500
Telefax +49 (0)2373/89-1550
E-Mail hotline@obo.de