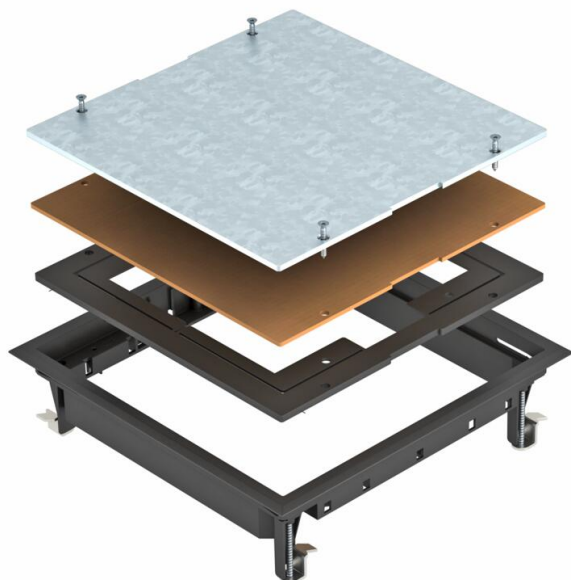


Technical data sheet

ZES9 inspection cover

Item number: 7406674



Junction box insert for blank closing of a square mounting opening of nominal size 9 in trunking systems and in raised and cavity floors for indoor use. Polyamide floor covering profile.

Recess is 5 mm, if necessary, adjustable to 3, 8 or 10 mm.



PA Polyamide

Master data

Item number	7406674
Type	ZES9-2 U10T 9011
Description 1	Junction box insert
Description 2	for universal mounting
Manufacturer	OBO
Colour	Graphite black; RAL 9011
Material	Polyamide
Smallest sales unit	1
Unit of quantity	Piece
Weight	206.3 kg
Weight unit	kg/100 pc.

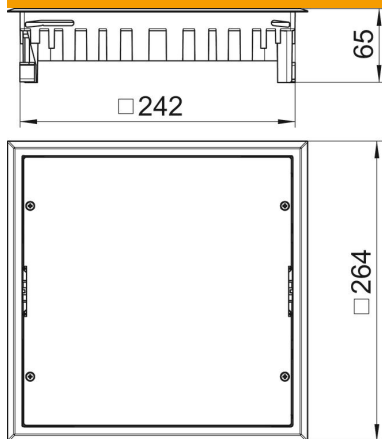
Technical data sheet

ZES9 inspection cover

Item number: 7406674



Dimensions



Length	264 mm
Width	264 mm
Height	65 mm

Technical data

Number of installable devices	0
Version for	Square
Floor covering protection frame	yes
Floor care	Dry
Floor height, min.	62 mm
Suitable for raised floor installation	yes
Suitable for cavity floor installation	yes
Suitable for wet care	no
Suitable for underfloor box	250/350
Suitable for underfloor ducts	yes
Length of external dimensions	264 mm
Length of installation dimensions	242 mm
Nominal size for device installation units	9
Frame version	Carpet protection frame
Vertical load, large area	to 3,000 N
Vertical load, small area	to 2,000 N
Floor covering thickness	5 mm