

Technical data sheet

HoverCube VH-8, empty housing, with compressed air connection

Item number: 6109825



Empty housing with 1 m pipe 1/2" and connection for compressed air hose 13 x 3.5 mm and 2-way distributor 1/2". With suspension lug and grip hook, for the installation of electrical resources, with included partition. Without cover plates.



PA Polyamide

Master data

Item number	6109825
Type	VH-8L LG
Description 1	HoverCube
Description 2	IP20, air, with grip, empty
Manufacturer	OBO
Dimension	140x140x352
Colour	Graphite black; RAL 9011
Material	Polyamide
Smallest sales unit	1
Unit of quantity	Piece
Weight	300 kg
Weight unit	kg/100 pc.

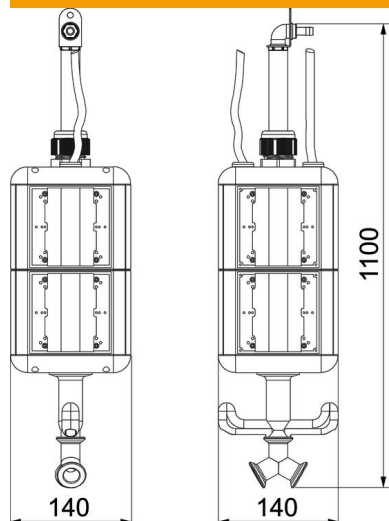
Technical data sheet

HoverCube VH-8, empty housing, with compressed air connection

Item number: 6109825



Dimensions



Width	140 mm
Height	1,100 mm

Technical data

Number of SCHUKO sockets	0
CEE socket, 125 A	Without
CEE socket, 16 A	Without
CEE socket, 32 A	Without
CEE socket, 63 A	Without
Supply/connection option	Miscellaneous
FI protection switch	Without
Handling	abhängbar
Military version	no
Protection rating	IP20
Other installations and/or empty slots	8
Depth	140 mm