

Technical data sheet

UDHOME2 floor socket, with cord outlet, without floor covering recess, unequipped, brass
Item number: 7368348



Square floor socket for use in dry-care cavity and screed floors. Installation housing with pre-marked insertion openings for pipes (M20/M25). Cover adjustable to top edge of floor covering using four height-adjustment supports. The minimum installation depth is 100 mm, the height-adjustment range 35 mm. Frame and cover made of brass and visible in the floor covering. Empty housing for up to 2 Modul 45® devices in the mounting support and 2 data sockets in the optional data technology support. The load-bearing capacity of 15 kN is only guaranteed when in an unused state.



CuZn
37 Brass

Master data

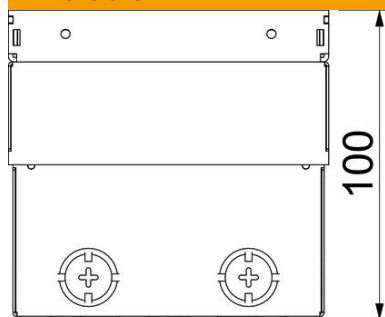
Item number	7368348
Description 1	Floor socket
Description 2	unequipped
Manufacturer	OBO
Dimension	140x140x110
Material	Brass
Smallest sales unit	1
Unit of quantity	Piece
Weight	216 kg
Weight unit	kg/100 pc.

Technical data sheet

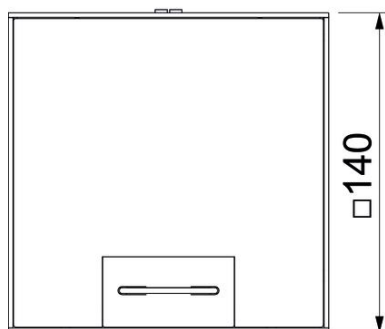
UDHOME2 floor socket, with cord outlet, without floor covering recess, unequipped, brass
Item number: 7368348



Dimensions



Length	140 mm
Width	140 mm
Height	100 mm



Technical data

Number of installable devices	2
Version for	Square
Cable outlet version	Swivellable cord outlet
Equipment	Empty housing
Floor covering protection frame	no
Floor care	Dry
Cover version	Decorative plate
Seal installation option	no
Application when used	6.101.1 Dry floor care
Application when unused	6.101.1 Dry floor care
Floor height, max.	135 mm
Floor height, min.	100 mm
Suitable for raised floor installation	yes
Suitable for screed-flush closed underfloor ducts	no
Suitable for screed-covered underfloor ducts	no
Suitable for cavity floor installation	yes
Suitable for wet care	no
Suitable for underfloor ducts	no
Device support to accept mounting boxes	no
With floor covering recess	no

Technical data sheet

UDHOME2 floor socket, with cord outlet, without floor covering recess, unequipped, brass

Item number: 7368348



Technical data

Nominal size for device installation units	2
Standard	EN 50085-2-2
Frame version	Floor covering contact edge
Protection rating (IP) when used	IP20
Protection rating (IP) when unused	IP40
Protection rating IK code	IK10
Heavy-duty version	no
Vertical load, small area	to 3,000 N
Approvals	VDE
Opening mechanism	Handle