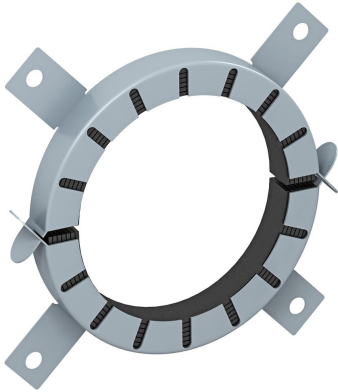


Technical data sheet

Pipe sleeve with 4 fastening straps

Item number: 7202208



Pipe sleeve for combustible pipes.

If there is a fire, fire protection inserts inside the sheet steel housing expand, exerting a very great pressure onto the burning thermoplastic pipes. For interior application. Fastening with anchors of M6 threaded rods up to size 75 mm, then M8.

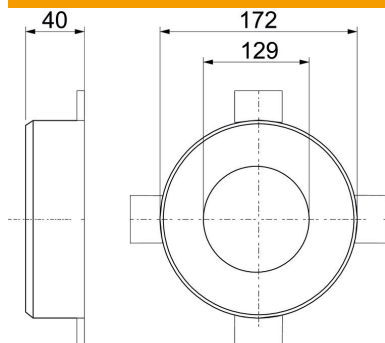


Intumescent material

Master data

Item number	7202208
Type	TCX-125
Description 1	Pipe sleeve
Description 2	for combustible pipes
Manufacturer	OBO
Dimension	Ø125mm
Colour	Grey
Material	Intumescent material
Smallest sales unit	1
Unit of quantity	Piece
Weight	70 kg
Weight unit	kg/100 pc.

Dimensions



Length	172 mm
Width	172 mm
Height	40 mm
Dimension d	129 mm
Dimension d min.	172 mm
Dimension h	40 mm

Technical data sheet

Pipe sleeve with 4 fastening straps

Item number: 7202208



Technical data

Shape	Round
For pipe diameter, max.	127 mm
For pipe diameter, min.	125 mm
Collar lock	Connector
With fastening material	no
Accessories required	yes