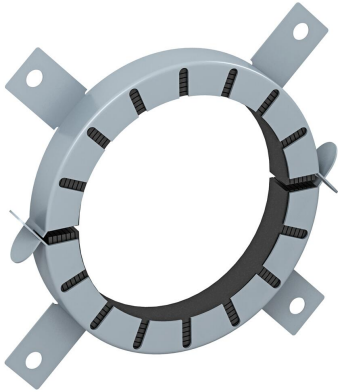


# Technical data sheet

## Pipe sleeve with 4 fastening straps

Item number: 7202205



Pipe sleeve for combustible pipes.

If there is a fire, fire protection inserts inside the sheet steel housing expand, exerting a very great pressure onto the burning thermoplastic pipes. For interior application. Fastening with anchors of M6 threaded rods up to size 75 mm, then M8.

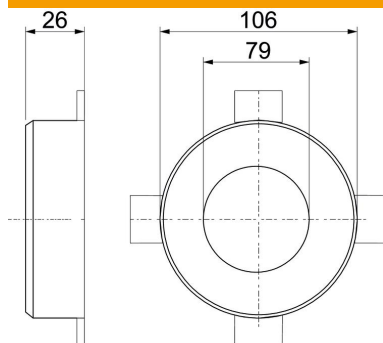


Intumescent material

### Master data

Item number	7202205
Type	TCX-075
Description 1	Pipe sleeve
Description 2	for combustible pipes
Manufacturer	OBO
Dimension	Ø75mm
Colour	Grey
Material	Intumescent material
Smallest sales unit	1
Unit of quantity	Piece
Weight	19 kg
Weight unit	kg/100 pc.

### Dimensions



Length	106 mm
Width	106 mm
Height	26 mm
Dimension d	79 mm
Dimension d min.	106 mm
Dimension h	26 mm

# Technical data sheet

## Pipe sleeve with 4 fastening straps

Item number: 7202205



### Technical data

Shape	Round
For pipe diameter, max.	77 mm
For pipe diameter, min.	75 mm
Collar lock	Connector
With fastening material	no
Accessories required	yes