

Technical data sheet

Support clamp, multifunctional

Item number: 1488560



Multifunctional support clamp for mounting cables, protection pipes and cable sections. Fastening through knocking onto steel girders.



CE

- St Steel
- ZL Zinc slat

Master data

Item number	1488560
Type	SK MULTI 3-8
Description 1	Beam clamp
Description 2	multifunctional
Manufacturer	OBO
Dimension	3-8mm
Material	Steel
Surface	Zinc slat
Surface standard	
Smallest sales unit	100
Unit of quantity	Piece
Weight	0.95 kg
Weight unit	kg/100 pc.

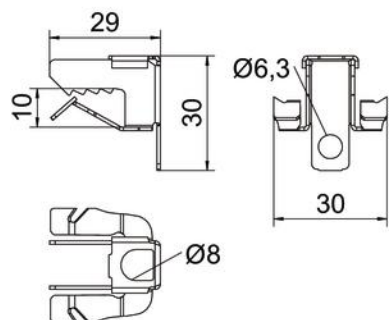
Technical data sheet

Support clamp, multifunctional

Item number: 1488560



Dimensions



Length	29 mm
Width	30 mm
Height	30 mm
Dimension H	30 mm
Dimension L	29 mm
Maß W	30 mm

Technical data

Connection type/component	Miscellaneous
Fastening type	Clamp
Flange thickness F max.	8 mm
Flange thickness F min.	3 mm
Hinge, adjustable	no
Hinged	no