

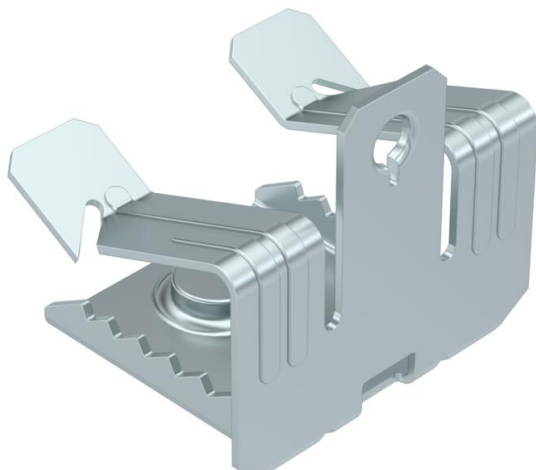
Technical data sheet

Support clamp, with threaded bolt at bottom

Item number: 1488295



Support clamp with M6 threaded bolt at bottom for individual mounting solutions. Fastening through knocking onto steel girders.



CE

- St Steel
- ZL Zinc slat

Master data

Item number	1488295
Type	SCUTB 14-20 M6
Description 1	Beam clamp
Description 2	with threaded bolt M6x9 mm
Manufacturer	OBO
Dimension	14-20mm
Material	Steel
Surface	Zinc slat
Surface standard	
Smallest sales unit	100
Unit of quantity	Piece
Weight	3.2 kg
Weight unit	kg/100 pc.

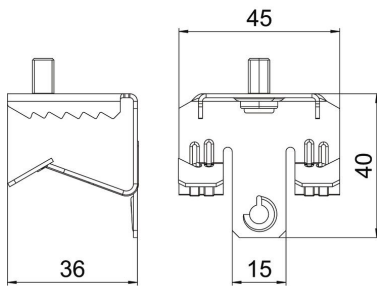
Technical data sheet

Support clamp, with threaded bolt at bottom

Item number: 1488295



Dimensions



Length	40 mm
Width	45 mm
Height	36 mm
Dimension L	40 mm

Technical data

Connection type/component	Thread
Fastening type	Clamp
Flange thickness F max.	20 mm
Flange thickness F min.	14 mm
Thread	M6 x 9 mm
Thread metric	6
Hinge, adjustable	no
Hinged	no