

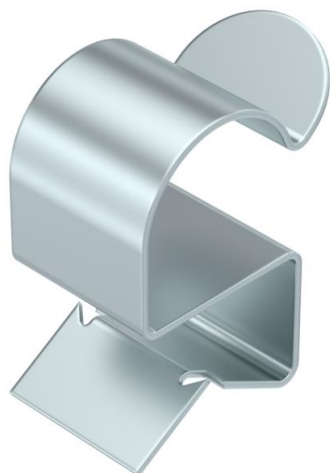
# Technical data sheet

## Support clamp for cables

Item number: 1488523



Support clamp for mounting cables. Open cable seat at side. Fastening through knocking onto steel girders.



CE

St	Steel
ZL	Zinc slat

### Master data

Item number	1488523
Type	SCC 7,5-12 D18
Description 1	Beam clamp
Description 2	for cable, 15-18mm
Manufacturer	OBO
Dimension	7,5-12mm
Material	Steel
Surface	Zinc slat
Surface standard	
Smallest sales unit	100
Unit of quantity	Piece
Weight	0.9 kg
Weight unit	kg/100 pc.

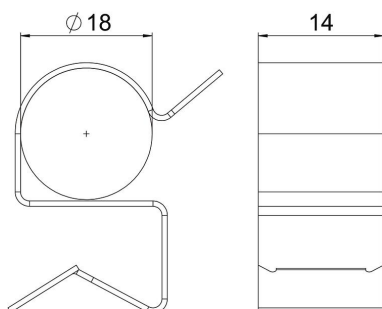
# Technical data sheet

## Support clamp for cables

Item number: 1488523



### Dimensions



Length	24 mm
Width	14 mm
Height	28 mm
Maß W	14 mm

### Technical data

Connection type/component	Pipe/cable
Fastening type	Clamp
Flange thickness F max.	12 mm
Flange thickness F min.	7.5 mm
Pipe/cable diameter, max.	18 mm
Pipe/cable diameter, min.	15 mm
Hinge, adjustable	no
Hinged	no