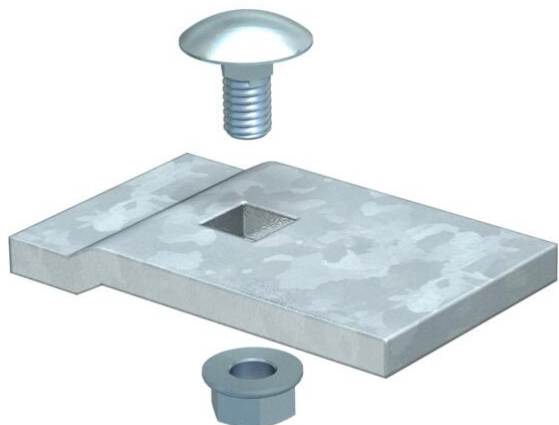


Technical data sheet

Hold-down clamp LKS 60/5 FT

Item number: 6232485



Hold-down clamp for fastening wide span cable ladders.
Fastening on bracket, type AW 80, and AWSS using the enclosed truss-head bolt FRS M8x20.



St Steel

FT Hot-dip galvanised

Master data

| | |
|---------------------|----------------------------|
| Item number | 6232485 |
| Type | LKS 60 5 FT |
| Description 1 | Hold-down clamp |
| Description 2 | for wide span cable ladder |
| Manufacturer | OBO |
| Dimension | 60x35 |
| Material | Steel |
| Surface | Hot-dip galvanised |
| Surface standard | DIN EN ISO 1461 |
| Smallest sales unit | 10 |
| Unit of quantity | Piece |
| Weight | 9 kg |
| Weight unit | kg/100 pc. |

Technical data sheet

Hold-down clamp LKS 60/5 FT

Item number: 6232485



Dimensions

