

Technical data sheet

Hold-down clamp, cable trays

Item number: 6062290



Hold-down clamp for the fastening of cable trays on steel girders. Including fastening material.



St Steel

FT Hot-dip galvanised

Master data

Item number	6062290
Type	KKS 60 4 FT
Description 1	Hold-down clamp
Description 2	for cable tray
Manufacturer	OBO
Dimension	60x30
Material	Steel
Surface	Hot-dip galvanised
Surface standard	DIN EN ISO 1461
Smallest sales unit	10
Unit of quantity	Piece
Weight	6.844 kg
Weight unit	kg/100 pc.

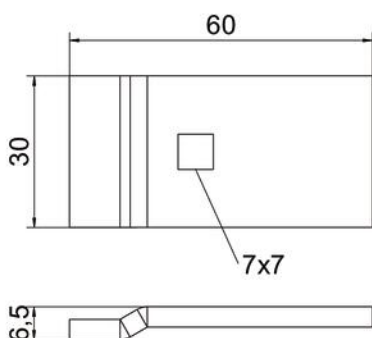
Technical data sheet

Hold-down clamp, cable trays

Item number: 6062290



Dimensions



Dimension	60x30
-----------	-------

Technical data

From tray width	100 mm
Suitable for cable tray	yes
Material thickness	4 mm
With screw accessories	yes
Type of accessory	Miscellaneous
Accessories	yes
Spare part	no