

Technical data sheet

Clamp clip 2056 H-foot 2-fold, metal pressure sleeve, FT

Item number: 1186003



Clamp clip with hammerhead foot, metal pressure sleeve with rounded edges to protect the cable. For vertical and horizontal mounting of 2 single cables on a C-profile rail. For a slot width 16–17 mm. With 1-start screw thread on pressure sleeve, universal hexagonal screw head WAF10, with slot and cross recess. Suitable for assembly indoors and outdoors. Multiple cables should be separated by double sleeves. We recommend the use of a counter-sleeve.



St Steel

FT Hot-dip galvanised

Master data

| | |
|---------------------|--------------------|
| Item number | 1186003 |
| Type | BS-H2-M-12 FT |
| Description 1 | Clamp clip 2056 |
| Description 2 | double |
| Manufacturer | OBO |
| Dimension | 08-12mm |
| Material | Steel |
| Surface | Hot-dip galvanised |
| Surface standard | DIN EN ISO 1461 |
| Smallest sales unit | 50 |
| Unit of quantity | Piece |
| Weight | 3.98 kg |
| Weight unit | kg/100 pc. |

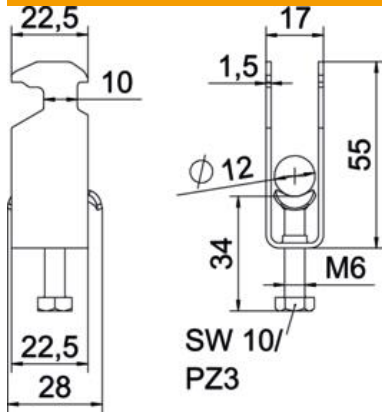
Technical data sheet

Clamp clip 2056 H-foot 2-fold, metal pressure sleeve, FT

Item number: 1186003



Dimensions



| | |
|------------------|---------|
| Length | 22.5 mm |
| Width | 17 mm |
| Height | 55 mm |
| Plate thickness | 1.5 mm |
| Dimension A | 22.5 mm |
| Dimension B | 17 mm |
| Dimension C | 28 mm |
| Dimension G (mm) | M6 |
| Dimension H | 34 mm |
| Dimension L | 34 mm |
| Dimension t | 1.5 mm |

Technical data

| | |
|--|----------------|
| Number of cables/pipes | 2 |
| Maintain electrical functions | yes |
| For pipe diameter, max. | 12 mm |
| For pipe diameter, min. | 8 mm |
| for rail with slot width (with interval), max. | 17 mm |
| for rail with slot width (with interval), min. | 16 mm |
| Thread | M6 |
| Halogen-free | yes |
| Length of external dimensions | 28 mm |
| Max. Tightening torque | 3 Nm |
| With plastic trough | no |
| With metal trough | yes |
| Mounting type | Profile rail |
| Slot width | 10 mm |
| Clamping range D, max. | 12 mm |
| Clamping range D, min. | 8 mm |
| Surface addition | hot galvanised |
| Material addition | Steel |
| With counter-trough | no |
| Material of trough | Steel |