

Technical data sheet

Spacer for flat conductor, with square pin

Item number: 5030021



- Fit: FL 30 and FL 40
- With 2 cylinder bolts M5 x 12 (G) and over-piece
- With square pin

St Steel

G Electrogalvanized

Master data

Item number	5030021
Type	708 30 SP
Description 1	Spacer
Description 2	with tip for ground conductor
Manufacturer	OBO
Dimension	30mm
Material	Steel
Surface	Electrogalvanized
Surface standard	EN ISO 19598 / EN ISO 4042
Smallest sales unit	50
Unit of quantity	Piece
Weight	3.148 kg
Weight unit	kg/100 pc.

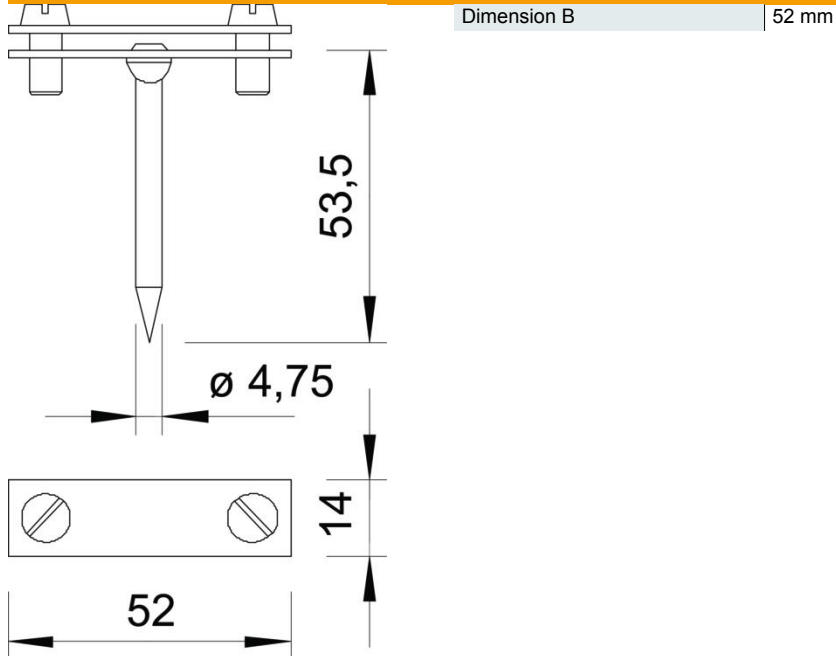
Technical data sheet

Spacer for flat conductor, with square pin

Item number: 5030021



Dimensions



Technical data

Fit	max. FL30 mm
Intermediate plate	no