

Technical data sheet

Spacer for flat conductor, with wood screw and spacer piece

Item number: 5025206



- Fit: FL 30
- With spacer and cylinder bolts M6 x 16 (G)
- With wood bolts

St	Steel
FT	Hot-dip galvanised

Master data

Item number	5025206
Type	370 H
Description 1	Spacer
Description 2	with wood screw
Manufacturer	OBO
Dimension	55mm
Material	Steel
Surface	Hot-dip galvanised
Surface standard	DIN EN ISO 1461
Smallest sales unit	100
Unit of quantity	Piece
Weight	10.2 kg
Weight unit	kg/100 pc.

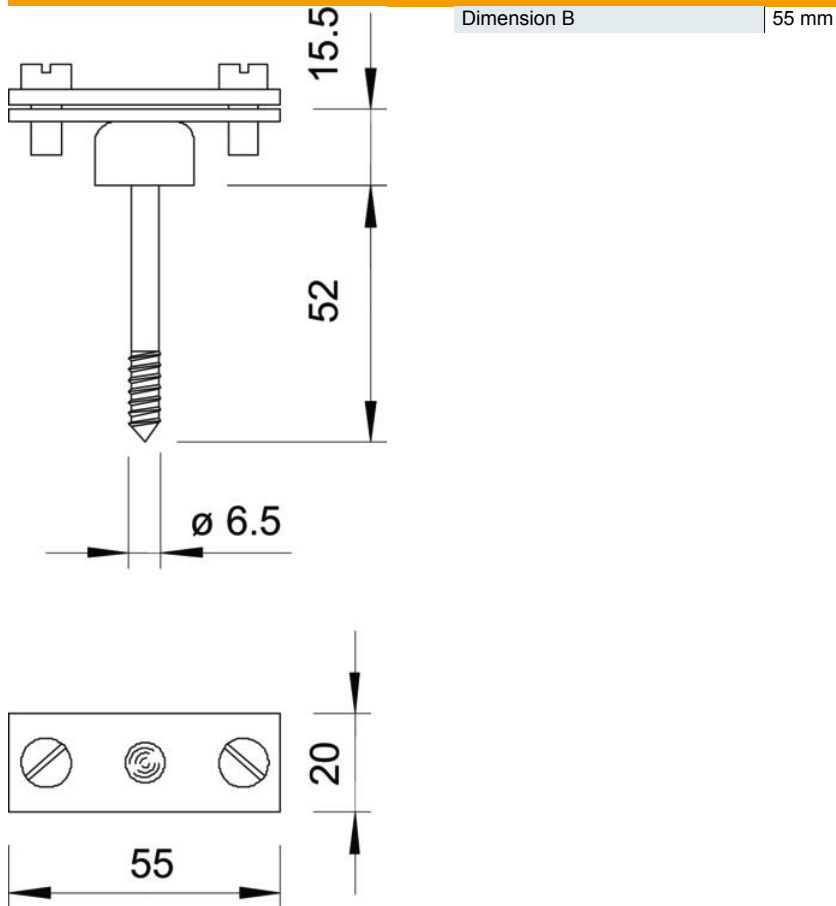
Technical data sheet

Spacer for flat conductor, with wood screw and spacer piece

Item number: 5025206



Dimensions



Technical data

Fit	max. FL30 mm
Intermediate plate	no