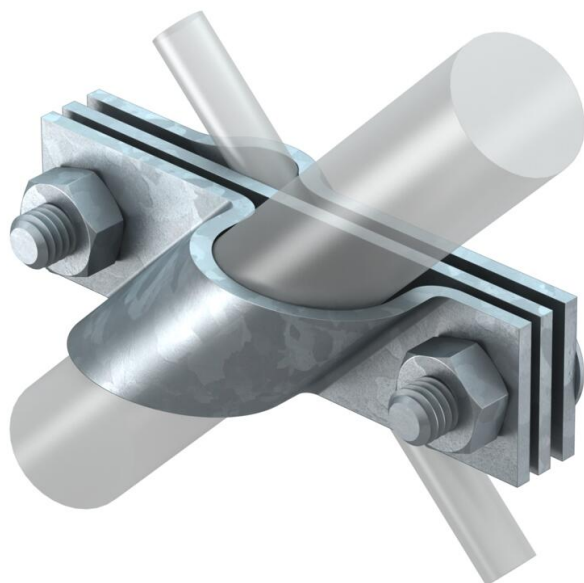


Technical data sheet

Connection clamp for earth rod, universal FT

Item number: 5001668



- Suitable for attaching round conductors Rd 8-10 or flat conductors to FL 40
- With separator plate
- Installed with 2 hexagonal bolts M10 x 30 and 2 hexagonal nuts M10



St Steel

FT Hot-dip galvanised

Master data

Item number	5001668
Description 1	Connection clamp
Description 2	for round and flat conductors
Manufacturer	OBO
Dimension	25mm
Material	Steel
Surface	Hot-dip galvanised
Surface standard	DIN EN ISO 1461
Smallest sales unit	5
Unit of quantity	Piece
Weight	38.4 kg
Weight unit	kg/100 pc.

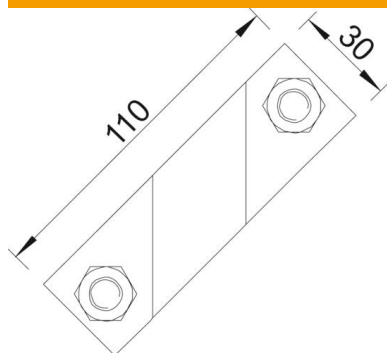
Technical data sheet

Connection clamp for earth rod, universal FT

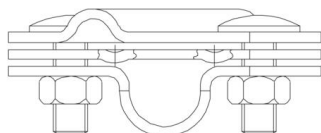
Item number: 5001668



Dimensions



Dimension A | 110 mm



Technical data

Type	Connection clip
Earthing connection diameter for earth rods	25 mm
Suitable for round conductor diameters, max.	25 mm
Suitable for round conductor diameters, min.	10 mm
Short-circuit current (50 Hz)(1 s; $\leq 300^{\circ}\text{C}$)	8 mm
Fit	8.5 kA
Intermediate plate	Rd 8-10/FL40 mm
Clamping range, max.	yes
Clamping range, min.	10 mm
Suitable for flat conductor width min.	8 mm
Suitable for flat conductor width max.	10 mm