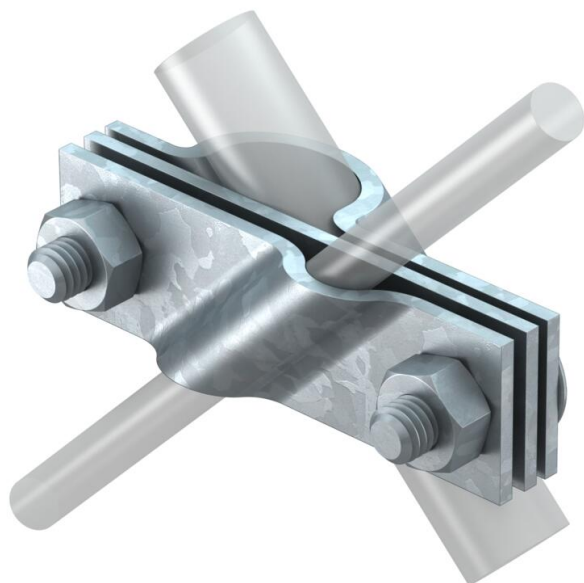


Technical data sheet

Connection clamp for earth rod, universal FT



Item number: 5001641



- Suitable for attaching round conductors Rd 8-10 or flat conductors to FL 40
- With separator plate
- Installed with 2 hexagonal bolts M10 x 30 and 2 hexagonal nuts M10



St Steel

FT Hot-dip galvanised

Master data

Item number	5001641
Type	2760 20 FT
Description 1	Connection clamp
Description 2	for round and flat conductors
Manufacturer	OBO
Dimension	20mm
Material	Steel
Surface	Hot-dip galvanised
Surface standard	DIN EN ISO 1461
Smallest sales unit	5
Unit of quantity	Piece
Weight	28.335 kg
Weight unit	kg/100 pc.

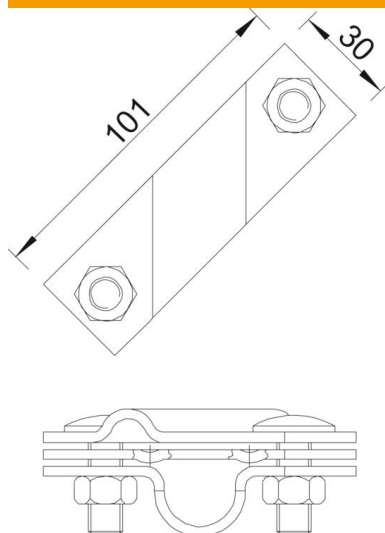
Technical data sheet

Connection clamp for earth rod, universal FT

Item number: 5001641



Dimensions



Dimension A | 101 mm

Technical data

Type	Connection clip
Earthing connection diameter for earth rods	20 mm
Suitable for round conductor diameters, max.	10 mm
Suitable for round conductor diameters, min.	8 mm
Short-circuit current (50 HZ)(1 s; $\leq 300^{\circ}\text{C}$)	7.9
Fit	Rd 8-10/FL40 mm
Intermediate plate	yes
Clamping range, max.	10 mm
Clamping range, min.	8 mm
Suitable for flat conductor width min.	8 mm
Suitable for flat conductor width max.	10 mm