

Technical data sheet

ISO nail clip 2014, light grey



Item number: 2228122

ISO nail clip, short design

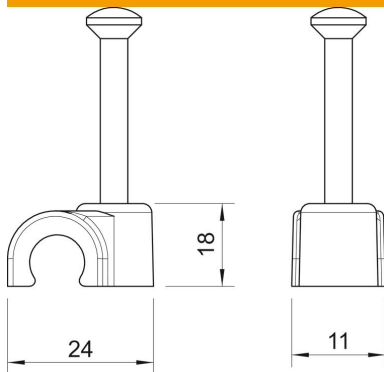


PP Polypropylene

Master data

| | |
|---------------------|----------------------|
| Item number | 2228122 |
| Type | 2014 50 LGR |
| Description 1 | ISO nail clip |
| Manufacturer | OBO |
| Dimension | 14mm, L50 |
| Colour | Light grey; RAL 7035 |
| Material | Polypropylene |
| Smallest sales unit | 50 |
| Unit of quantity | Piece |
| Weight | 0.336 kg |
| Weight unit | kg/100 pc. |

Dimensions



| | |
|-------------|-------|
| Dimension B | 11 mm |
| Dimension H | 18 mm |
| Dimension L | 24 mm |

Technical data

| | |
|--------------------|-----------------------------|
| Double clip | no |
| Shape | Round (for round conductor) |
| for cable diameter | 14 mm |
| For nail diameter | 2,0x50 |
| Hardened | yes |
| Halogen-free | yes |
| With nail | yes |
| Nail length | 50 mm |
| Impact-resistant | no |
| Transparent | no |
| Pipe locking | no |