

Technical data sheet

Cone cable gland, PG thread, strain relief, nickel-plated

Item number: 2046210



Cable gland with centrally acting transverse clip strain relief in the pressure screw, bend protection of movable cables through strongly rounded pressure screw.

With Pg connection thread to DIN 40430.

Pressure rings made of electrogalvanised and transparently passivated steel. NR/SBR sealing ring.

Protection rating: with connection thread sealing ring IP 65, without connection thread sealing ring IP 54.

With hexagonal intermediate support (similar to shape C 4 to DIN 46320).

* Prices according to DEL notation.



CuZn
37 Brass

N Nickel-plated

Master data

| | |
|-----------------------------------|-------------------------|
| Item number | 2046210 |
| Type | 159 MS PG21 |
| Description 1 | Cable gland |
| Description 2 | with outside hexagonal |
| Manufacturer | OBO |
| Dimension | PG21 |
| Material | Brass |
| Surface | Nickel-plated |
| Surface standard | |
| Smallest sales unit | 25 |
| Unit of quantity | Piece |
| Weight | 7.59 kg |
| Weight unit | kg/100 pc. |
| CO Footprint (GWP) Cradle-to-Gate | 2,0254 kg COe / 1 Piece |

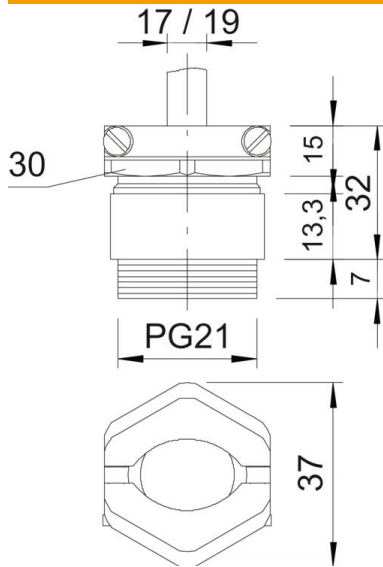
Technical data sheet

Cone cable gland, PG thread, strain relief, nickel-plated

Item number: 2046210



Dimensions



| | |
|------------------|---------|
| Dimension E | 37 mm |
| Dimension L max. | 32 mm |
| Dimension L1 | 7 mm |
| Dimension L2 | 15 mm |
| Dimension L3 | 13.3 mm |

Technical data

| | |
|--------------------------|--------------|
| Type of seal | Sealing ring |
| Bend protection | no |
| Sealing area D, max. | 19 mm |
| Sealing area D, min. | 17 mm |
| explosion-proof | no |
| Flat cable gland | no |
| For Ex zone | Without |
| Thread | Pg 21 |
| Thread type | PG |
| Thread length | 7 mm |
| Fibre-glass reinforced | no |
| Halogen-free | no |
| Sealing insert, multiple | no |
| With locknut | no |
| Impact-resistant | no |
| WAF | 30 |
| WAF 1 | 30 mm |
| WAF 2 | 33 mm |
| Protection rating | IP65 |
| Strain relief option | yes |