

# Technical data sheet

## Locknut, PG thread

Item number: 2043165



Locknut DIN 46320, with PG thread DIN 40430.

Note: Only tighten polystyrene cable glands lightly due to the risk of stress crack formation.



**PS** Polystyrene

### Master data

|                                   |                         |
|-----------------------------------|-------------------------|
| Item number                       | 2043165                 |
| Description 1                     | Locknut                 |
| Manufacturer                      | OBO                     |
| Dimension                         | PG16                    |
| Colour                            | Light grey; RAL 7035    |
| Material                          | Polystyrene             |
| Smallest sales unit               | 100                     |
| Unit of quantity                  | Piece                   |
| Weight                            | 0.226 kg                |
| Weight unit                       | kg/100 pc.              |
| CO Footprint (GWP) Cradle-to-Gate | 0,0093 kg COe / 1 Piece |

# Technical data sheet

Locknut, PG thread

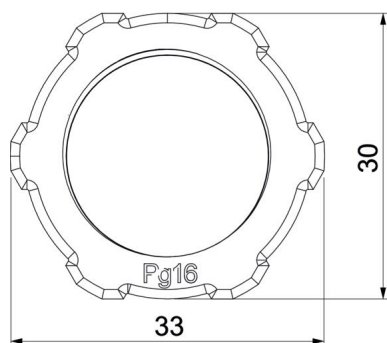
Item number: 2043165



## Dimensions



|             |       |
|-------------|-------|
| Dimension E | 33 mm |
| Dimension L | 6 mm  |



## Technical data

|                               |       |
|-------------------------------|-------|
| Thread                        | Pg_16 |
| Thread type                   | PG    |
| Nominal thread size metric/PG | 16    |
| Fibre-glass reinforced        | no    |
| Halogen-free                  | yes   |
| Impact-resistant              | yes   |
| WAF                           | 30    |