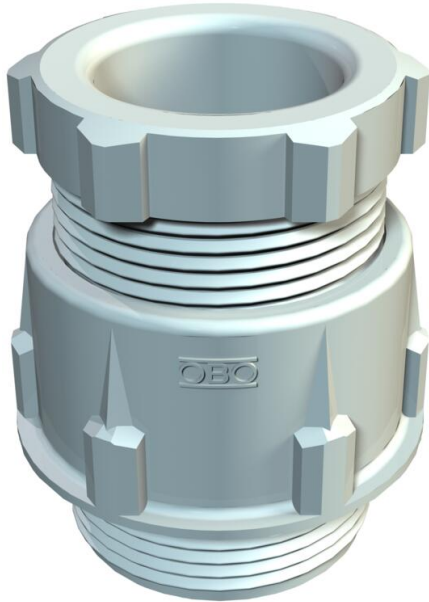


Technical data sheet

Cone cable gland, PG thread, light grey

Item number: 2036096



Standard cable gland, shape A, to DIN 46320 with simple NR/SBR sealing ring.
PG connection thread in accordance with DIN 40430.

Protection rating: with connection thread sealing ring IP65, without connection thread sealing ring IP54.

Note: Only tighten polystyrene cable glands lightly due to the risk of stress crack formation.

Shock-resistant



PS Polystyrene

Master data

Item number	2036096
Description 1	Cable gland
Manufacturer	OBO
Dimension	PG9
Colour	Light grey; RAL 7035
Material	Polystyrene
Smallest sales unit	50
Unit of quantity	Piece
Weight	0.56 kg
Weight unit	kg/100 pc.
CO Footprint (GWP) Cradle-to-Gate	1,8435 kg COe / 1 Piece

Technical data sheet

Cone cable gland, PG thread, light grey

Item number: 2036096



Dimensions



Length	21.5 mm
Width	21.5 mm
Height	30 mm
Dimension D1	7 mm
Dimension D2	21.5 mm
Dimension D3	10.5 mm
Dimension D4	11 mm
Dimension G	Pg9 mm
Dimension L max.	25 mm
Dimension L1	8 mm
Dimension L2	14 mm
Dimension L3	5 mm
Dimension L4	9 mm

Technical data

Type of seal	Sealing ring
Version for	Straight
Bend protection	no
Sealing area D, max.	7 mm
Sealing area D, min.	4.5 mm
explosion-proof	no
For Ex zone	Without
For Ex zone gas	Without
For Ex zone dust	Without
Thread	Pg 9
Thread type	PG
Thread length	8 mm
Nominal thread size	9
Fibre-glass reinforced	no
Halogen-free	yes
Sealing insert, multiple	no
With locknut	no
Impact-resistant	no
WAF 1	19 mm
WAF 2	16 mm
Protection rating	IP65
Splittable gland	no
Strain relief option	no