

Technical data sheet

Air-termination/earth entry rod with connection tabs and connector

Item number: 5402107



- 1 attaching hole \varnothing 12 mm
- With pre-mounted conductor for Rd 8-10
- One end rounded

St Steel

FT Hot-dip galvanised

Master data

Item number	5402107
Description 1	Interception/earth entry rods
Manufacturer	OBO
Dimension	1000mm
Material	Steel
Surface	Hot-dip galvanised
Surface standard	DIN EN ISO 1461
Smallest sales unit	1
Unit of quantity	Piece
Weight	164.3 kg
Weight unit	kg/100 pc.

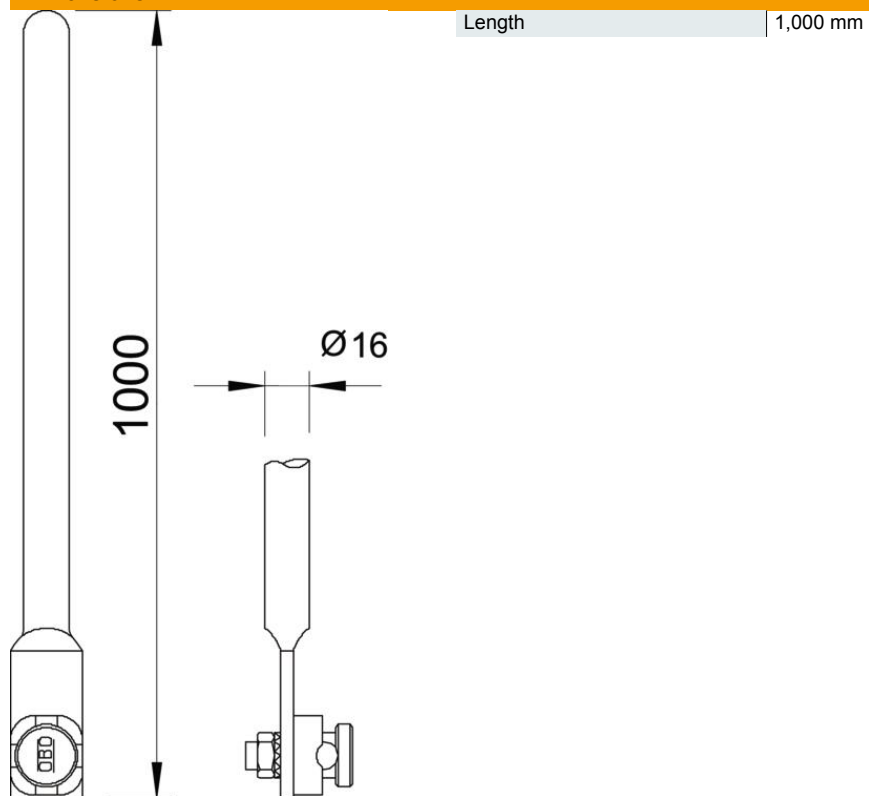
Technical data sheet

Air-termination/earth entry rod with connection tabs and connector

Item number: 5402107



Dimensions



Technical data

Connection	Round conductor
Version for	Air-termination rod
High voltage-resistant, insulated version	no
Nominal size Ø	16 mm